

Visible Signals

## One Of Four

DIY Video Synthesizer module for Eurorack

Manual V0.2a

One Of Four is a four input to one output high bandwidth signal switcher for modular video systems.

All Visible Signals manuals include a version number, which corresponds to the version number printed on the PCBs, plus a revision letter. Please make sure the manual you use has the same version number as your PCBs! Contact [info@visiblesignals.net](mailto:info@visiblesignals.net) if you can't find the right manual.

## Suggested Build Order – One Of Four (page 1)

### RESISTORS

<u>Part</u>	<u>Value</u>	<u>Part</u>	<u>Value</u>
<input type="checkbox"/> R1	100K	<input type="checkbox"/> R19	1K
<input type="checkbox"/> R3	100K	<input type="checkbox"/> R20	1K
<input type="checkbox"/> R8	100K	<input type="checkbox"/> R24	1K
<input type="checkbox"/> R22	100K	<input type="checkbox"/> R27	1K
<input type="checkbox"/> R32	100K	<input type="checkbox"/> R30	1K
<input type="checkbox"/> R33	100K	<input type="checkbox"/> R31	1K
<input type="checkbox"/> R34	100K	<input type="checkbox"/> R28	180K
<input type="checkbox"/> R35	100K	<input type="checkbox"/> R26	20K
<input type="checkbox"/> R36	100K	<input type="checkbox"/> R2	499R
<input type="checkbox"/> R37	100K	<input type="checkbox"/> R4	499R
<input type="checkbox"/> R38	100K	<input type="checkbox"/> R9	499R
<input type="checkbox"/> R39	100K	<input type="checkbox"/> R11	499R
<input type="checkbox"/> R5	1K	<input type="checkbox"/> R13	499R
<input type="checkbox"/> R6	1K	<input type="checkbox"/> R15	499R
<input type="checkbox"/> R7	1K	<input type="checkbox"/> R18	499R
<input type="checkbox"/> R10	1K	<input type="checkbox"/> R21	499R
<input type="checkbox"/> R12	1K	<input type="checkbox"/> R23	499R
<input type="checkbox"/> R14	1K	<input type="checkbox"/> R25	499R
<input type="checkbox"/> R16	1K	<input type="checkbox"/> R29	499R
<input type="checkbox"/> R17	1K		

### DIODES & FERRITES

*Make sure the diodes are in the right way. Of the diodes, only D1 and D2 are marked on the PCB silkscreen since all the rest are the same part (1N5711).*

<u>Part</u>	<u>Value</u>	<u>Part</u>	<u>Value</u>
<input type="checkbox"/> D1	1N400x	<input type="checkbox"/> D3	1N5711
<input type="checkbox"/> D2	1N400x	<input type="checkbox"/> D4	1N5711
<input type="checkbox"/> L1	Ferrite Bead	<input type="checkbox"/> D5	1N5711
<input type="checkbox"/> L2	Ferrite Bead	<input type="checkbox"/> D6	1N5711

### INTEGRATED CIRCUITS

*Make sure the ICs are in the right way, with the notch (or the left side relative to the writing on top of the chip) lined up with the silkscreen.*

<u>Part</u>	<u>Value</u>	<u>Part</u>	<u>Value</u>
<input type="checkbox"/> IC1	LM6172	<input type="checkbox"/> IC4	LM6172
<input type="checkbox"/> IC2	LM6172	<input type="checkbox"/> IC5	AD8184
<input type="checkbox"/> IC3	LM6172		

## Suggested Build Order – One Of Four (page 2)

### MLCC CAPACITORS

All unlabelled capacitors on the PCB silkscreen are 100nF MLCC types.

<u>Part</u>	<u>Value</u>	<u>Part</u>	<u>Value</u>
<input type="checkbox"/> C4	100n	<input type="checkbox"/> C10	100n
<input type="checkbox"/> C5	100n	<input type="checkbox"/> C11	100n
<input type="checkbox"/> C6	100n	<input type="checkbox"/> C12	100n
<input type="checkbox"/> C7	100n	<input type="checkbox"/> C13	100n
<input type="checkbox"/> C8	100n	<input type="checkbox"/> C14	100n
<input type="checkbox"/> C9	100n	<input type="checkbox"/> C15	100n

### SOCKETS

Make sure the sockets fit into the front panel as you solder them.

<u>Part</u>	<u>Value</u>	<u>Part</u>	<u>Value</u>
<input type="checkbox"/> A1	PJ302M	<input type="checkbox"/> 1/2	PJ302M
<input type="checkbox"/> A2	PJ302M	<input type="checkbox"/> A/B	PJ302M
<input type="checkbox"/> B1	PJ302M	<input type="checkbox"/> OUT	PJ302M
<input type="checkbox"/> B2	PJ302M		

### VOLTAGE REGULATORS

Insert the voltage regulators, then bend the legs over at a right angle so that the screw mounting holes lines up. You don't need to mount the regulators to the board but you can if you want to.

<u>Part</u>	<u>Value</u>	<u>Part</u>	<u>Value</u>
<input type="checkbox"/> REG1	7905T	<input type="checkbox"/> REG2	7805T

### ELECTROLYTIC CAPACITORS

Make sure the long legs go in the hole marked with a '+'.  
Make sure the long legs go in the hole marked with a '+'.

<u>Part</u>	<u>Value</u>	<u>Part</u>	<u>Value</u>
<input type="checkbox"/> C1	10uF	<input type="checkbox"/> C3	10uF
<input type="checkbox"/> C2	10uF		

### POWER HEADER

Make sure the notch on the shrouded power header is on the outside edge of the PCB.

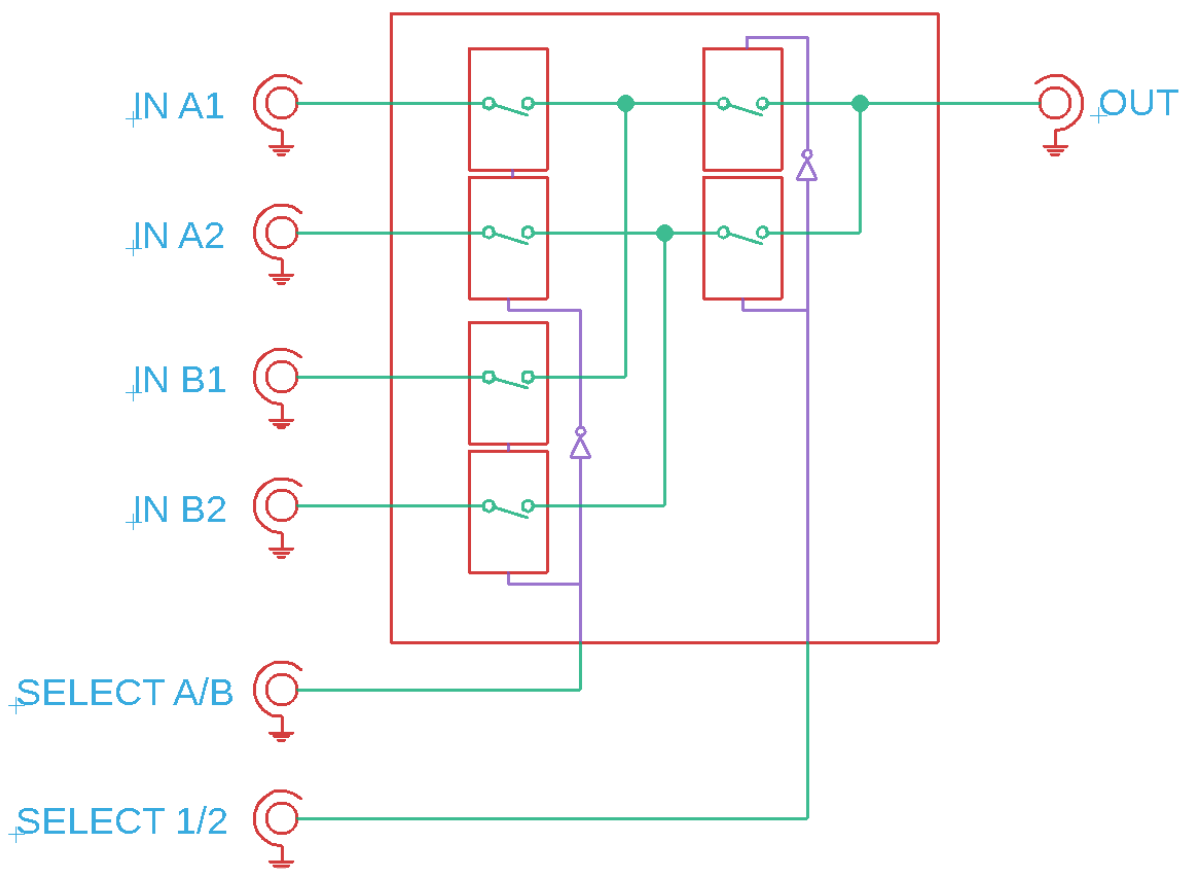
<u>Part</u>	<u>Value</u>
<input type="checkbox"/> POWER	5x2 Pin Header

## Circuit Details

One Of Four has four signal inputs (A1, A2, B1 and B2), one output, and two “select” inputs (A/B and 1/2) that controls which input is connected to the output at any moment. The switching speed is very fast, to ensure sharp edges and input transitions at high bandwidths.

When both the A/B and 1/2 controls are a low voltage ( $< 0.5V$ ) input A1 is connected to the output. When A/B is low and 1/2 is high voltage ( $> 0.5V$ ) then input A2 is connected to the output. When the A/B control is a high voltage the connections are similar but using the B inputs instead of the A inputs.

Although primarily intended for use with LZX-compatible eurorack video signals levels (0-1V), the inputs and output are all properly buffered and can be used in with any eurorack signals of up to +/- 10V.



## Bill of Materials

Parts marked with an asterisk are frequently used in Visible Signals modules, so consider stocking up if there's a quantity discount available.

<u>Type</u>	<u>Value/Description</u>	<u>Qty</u>	<u>Vendor</u>	<u>Part Number</u>	<u>*</u>	<u>Notes</u>
MLCC Capacitor	100n	12	Mouser	594-K104K15X7RF53K2	*	
Diode	1N400x	2	Mouser	750-1N4001-G	*	Any part like 1N4001, 1N4004, etc is fine
Diode	1N5711	4	Mouser	511-1N5711	*	
Electrolytic Capacitor	10uF	3	Mouser	80-ESL106M050AC3AA	*	
Ferrite bead	Ferrite bead	2	Mouser	623-2743001111	*	
IC	AD8184	1	Mouser	584-AD8184ANZ		
IC	LM6172	4	Mouser	926-LM6172IN/NOPB	*	
PCB	One Of Four PCB set	1	Visible Signals	OOF		
Panel	One Of Four PCB set	1	Visible Signals	OOF		
Pin Header	Pin header 5x2	1	Mouser	710-61201021621	*	Shrouded
Resistor	100K	12	Mouser	603-MFR-25F52-100K	*	
Resistor	180K	1	Mouser	603-MFR-25F52-180K		
Resistor	1K	14	Mouser	603-MFR-25F52-1K	*	
Resistor	20K	1	Mouser	603-MFR-25F52-20K		
Resistor	499R	11	Mouser	594-5063JD499R0F	*	
Socket	PJ302M	7	Thonk	PJ302M	*	
Voltage Regulator	7805	1	Mouser	511-L7805CV		
Voltage Regulator	7905	1	Mouser	511-L7905CV		